

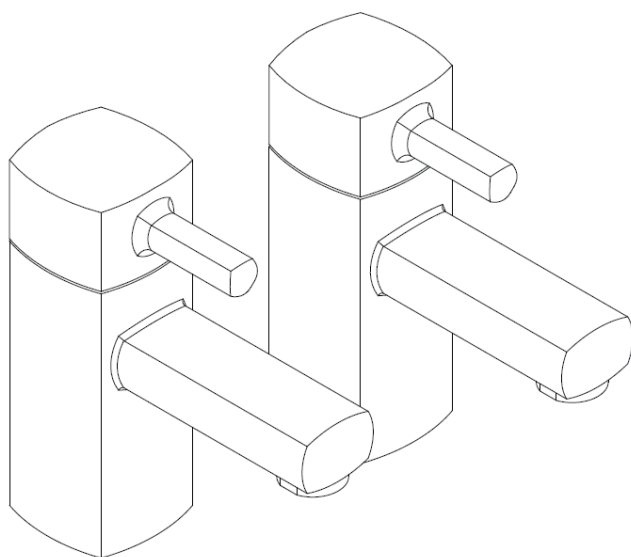
USER MANUAL



Thank you for choosing Better Bathrooms.
Please read this manual before installing your product
and keep for future reference.

**better
bathrooms**

Product name Basin /Bath Taps



- **Single person assembly**
- **Tools required**
- **We always recommend using professional tradespeople to install your product**

V1 23.08.21

Congratulations on your purchase

And welcome to our growing gang of savvy shoppers

We're on a mission to bring you extraordinary bathroom products, for less. From modern to traditional style ceramics, plus the gorgeous fixtures, fittings and furniture to match. So, you can fall in love with your space every single day.

As one of the UK's largest independent bathroom stores, we've received countless awards; including the National Business Awards UK, the Digital Entrepreneur Awards and being placed on The Sunday Times Fast Track 100.

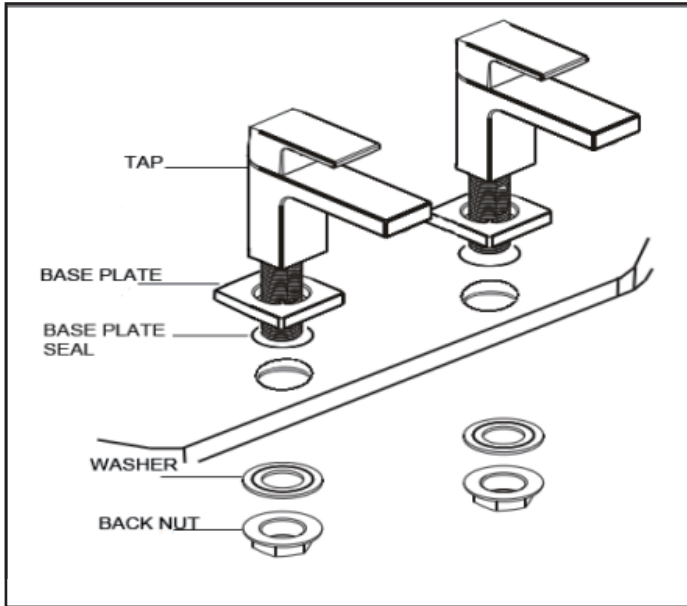
We hope your new product goes above and beyond your expectations. However, should any problems occur, please:

- log in to your account and contact our customer services team via your self-serve portal – betterbathrooms.com/Account/Login
- contact us via betterbathrooms.com/contact-us

Important information

- Please read these instructions thoroughly and retain for future reference
- Pressures should meet minimum stated on the website
- Pressures must be balanced for optimum performance
- Always check for pipes and cables before drilling
- System must be flushed through prior to installation

Parts / Diagrams



Tools required

Spanner and Hammer

Installation

Please note: Before starting the installation of a new mixer, turn off the water supply

Please note: HOT supply to the left and COLD supply to the right

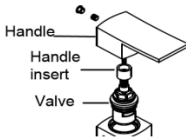
1. Remove back nuts and washers if fitted to tap when received
2. Place base plates if provided, onto tap tails
3. Place tap tails through holes in bath/basin
4. From underneath the bath/basin fit washers and back nuts and tighten into position
5. Connect to water supply, making a watertight seal
6. Turn on water supply and check for leaks

Maintenance

POST-INSTALLATION

To Remove Valve

TURN OFF WATER SUPPLY TO MIXER



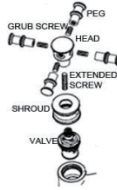
- > Remove screw cap cover
(This could be at front or back of handle)
- > Loosen grub screw using hex key
- > Pull handle from tap
- > Remove insert (If included in your product)
- > Using a spanner remove valve
- > Carry out maintenance
- > Replace valve and tighten
- > Replace all components

Design may vary from that shown

POST-INSTALLATION

To Remove Valve

TURN OFF WATER SUPPLY TO MIXER

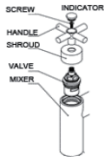


- > Unscrew all handle pegs
- > Remove grub screws using hex key
- > Pull head section from tap
- > Remove extended screw
- > Unscrew shroud
- > Using a spanner remove valve
- > Carry out maintenance
- > Replace valve and tighten
- > Replace all components

Design may vary from that shown

To Remove Valve

TURN OFF WATER SUPPLY TO MIXER

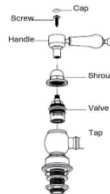


- > Remove H or C indicator
- > Using a screwdriver remove handle screw
- > Pull handle from tap
- > Unscrew shroud
- > Using a spanner remove valve
- > Carry out maintenance
- > Replace valve and tighten
- > Replace all components

Design may vary from that shown

To Remove Valve

TURN OFF WATER SUPPLY TO MIXER



- > Remove H or C indicator
- > Using a screwdriver remove handle screw
- > Pull handle from tap
- > Unscrew shroud
- > Using a spanner remove valve
- > Carry out maintenance
- > Replace valve and tighten
- > Replace all components

Design may vary from that shown

Cleaning

To maintain the surface finish of your product, wipe clean regularly, using a clean damp cloth and dry cloth to polish. Do not use abrasive cleaning agents or materials on the product surface as you may invalidate your guarantee. Should any harsh chemicals come into contact with the surface of the product during bathroom cleaning, rinse off immediately, wipe clean and dry.

For more information

- visit betterbathrooms.com
- email customerservices@buyitdirect.co.uk
- call 0330 390 3062
- write to Trident Business Park, Neptune Way, Huddersfield, HD2 1UA

better 
bathrooms

Part of the BuyItDirect Group